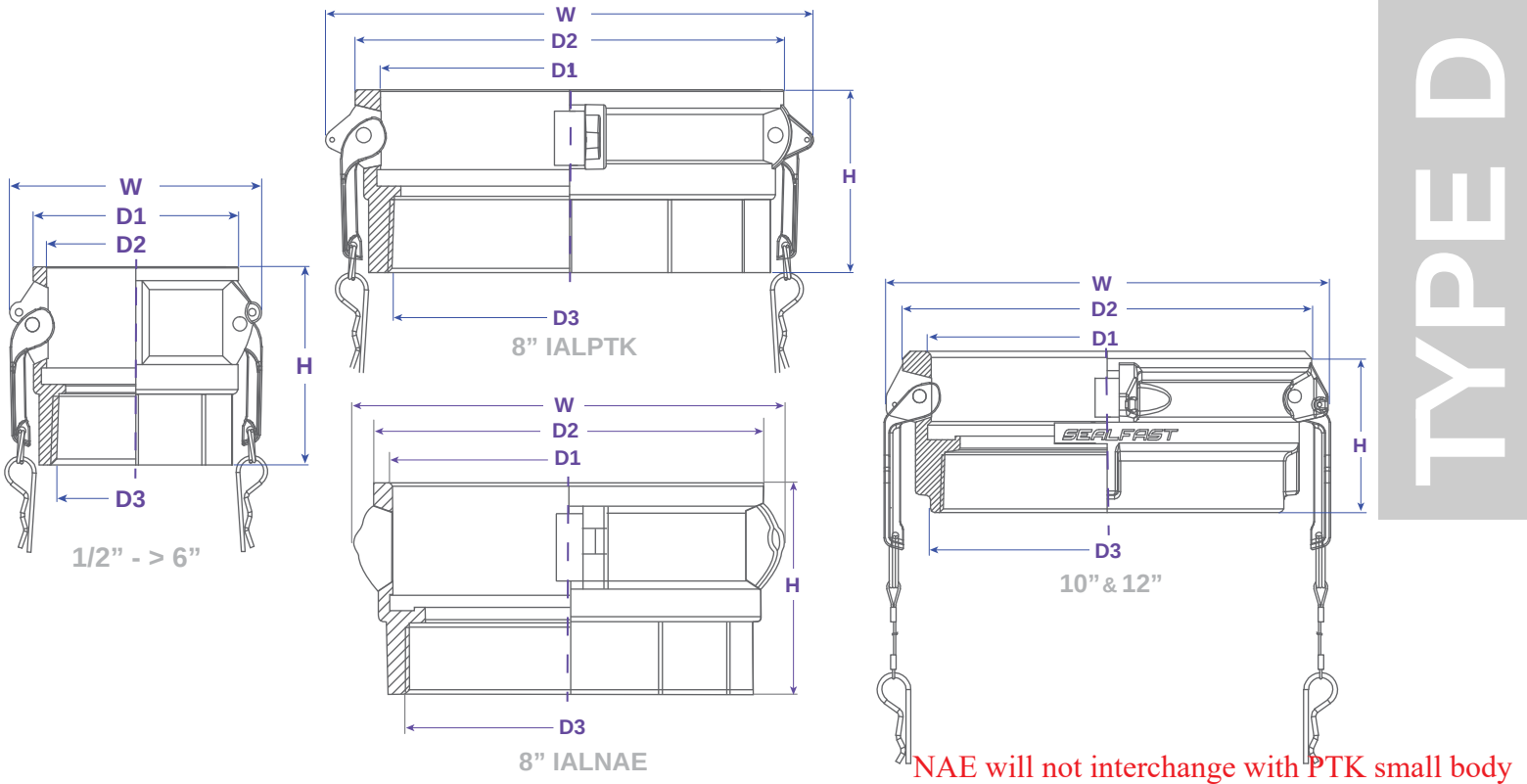




TYPED



NAE will not interchange with PTK small body

Size	Working PSI	D1	D2	D3	W	H	PART #
1/2"	125	1.299	0.965	1/2" NPT	2.008	1.752	D050IAL
3/4"	150	1.614	1.272	3/4" NPT	2.284	1.831	D075IAL
1"	150	1.835	1.465	1" NPT	2.598	2.185	D100IAL
1-1/4"	150	2.260	1.811	1-1/4" NPT	2.992	2.598	D125IAL
1-1/2"	150	2.571	2.122	1-1/2" NPT	3.386	2.638	D150IAL
2"	150	2.992	2.508	2" NPT	3.780	2.874	D200IAL
2-1/2"	150	3.520	3.008	2-1/4" NPT	4.331	3.386	D250IAL
3"	150	4.154	3.626	3" NPT	5.079	3.406	D300IAL
4"	150	5.354	4.732	4" NPT	6.181	3.661	D400IAL
5"	75	6.378	5.752	5" NPT	7.323	3.780	D500IAL
6"	75	7.579	6.949	6" NPT	8.898	4.055	D600IAL
8"	40	10.158	9.142	8" NPT	11.575	5.512	D800IALNAE
8"	40	10.158	8.957	8" NPT	11.260	4.331	D800IALPTK
10"	25	11.402	13.268	10" NPT	14.478	5.228	D1000IAL
12"	25	13.504	15.276	12" NPT	16.553	5.551	D1200IAL

FEATURES & APPLICATIONS:

- **General Uses:**
A camlock fitting is a type of coupling that is used to connecting hose and or pipes together that transfers liquids, powders and granules. A straight through connection is made that maintains the pipe size and allows the free flow of materials being transferred.

WARNING: Cam & Groove Couplings should NOT be used with any compressed gas, including steam or air. Metal fittings should NOT be used with Polypropylene Cam & Groove. Dust Caps and Dust Plugs are NOT designed for pressure applications.

Note: All Seal Fast Cam & Groove Stainless Bodies are 316 Investment with 304 Handles.

TITLE TYPE D - FEMALE COUPLER X FEMALE NPT	
<p>DISCLAIMER All drawings and specifications are subject to change without notice. Drawings represent general dimensions of our products. Seal Fast cannot guarantee the dimensions in the drawing will exactly match those in the drawing. This drawing is the property of Seal Fast Inc. Copying or reproduction of this drawing is expressly prohibited.</p>	<p>MATERIAL A226AL</p>
<p>DRAWING NOT TO SCALE</p>	<p>PART # D...IAL</p>

